



Badger Meter Europa GmbH

Primo® Advanced



INSTRUCTION AND OPERATION MANUAL

April 2007

MID_PrimoAdvanced_Bedienungsanleitung_0704_e.doc

- 1. Basic safety recommendations..... 1**
- 2. Description..... 2**
- 3. Installation..... 3**
 - 3.1 General..... 3
 - 3.1.1 Temperature ranges 3
 - 3.1.2 Protection class..... 3
 - 3.1.3 Transportation 4
 - 3.2 Mounting 4
 - 3.2.1 Mounting position 4
 - 3.2.2 Inlet and outlet distance 4
 - 3.2.3 Mounting location 5
 - 3.2.4 Size reduction 6
 - 3.2.5 Remote version 7
 - 3.2.6 Grounding and equipotential bonding 7
 - 3.2.7 Plastic- or lined pipelines 8
 - 3.2.8 Pipes with cathodic protection..... 8
 - 3.2.9 Electrical disturbed surrounding 9
- 4. Electrical connection..... 9**
 - 4.1 Power..... 9
 - 4.2 Remote version..... 10
 - 4.2.1 Specification signal cable 11
 - 4.3 Terminal connecting plan inputs and outputs 12
- 5. Parameter setting 13**
 - 5.1 Test mode and normal setting 13
 - 5.1.1 Language setting..... 13
 - 5.1.2 Flow simulation 13
 - 5.1.3 Calibrating the analog output 14
 - 5.1.4 Calibrating the medium control 14
 - 5.2 Parameter setting mode 15
 - 5.2.1 Factors 15
 - 5.2.1.1 Calibration constant 15
 - 5.2.1.2 Size 15
 - 5.2.1.3 Password 16

5.2.2	Outputs.....	16
5.2.2.1	Analog output.....	16
5.2.2.2	Pulse output.....	17
5.2.2.3	Frequency output.....	18
5.2.2.4	Set point.....	18
5.2.2.5	Preselection.....	19
5.2.2.6	Resetting the totalizers and the preselection meter.....	19
5.2.3	Measuring.....	20
5.2.3.1	Measuring units.....	20
5.2.3.2	Totalizer units.....	20
5.2.3.3	Full scale.....	21
5.2.3.4	Low flow cut off.....	21
5.2.3.5	Empty pipe detection.....	21
5.2.3.6	Flow direction.....	21
5.2.3.7	Filter (damping).....	22
5.2.3.8	Error message.....	22
5.3	Measuring mode.....	22
6.	Interfaces.....	23
6.1	RS232.....	23
6.2	HART protocol.....	23
6.2.1	HART connection.....	24
7.	Error indication and clearance.....	25
7.1	Replacing the meter fuse.....	26
7.2	Replacing the amplifier electronic.....	26
8.	Technical data.....	27
8.1	Detector type II.....	27
8.2	Detector type food.....	29
8.3	Detector type III.....	31
8.4	Amplifier type Primo Advanced.....	32
8.5	Error limits.....	33
8.6	Size selection.....	34
9.	Program structure.....	35
9.1	Parameter setting mode.....	35
9.2	Test mode.....	36
10.	Return of goods / harmless declaration.....	37

1. Basic safety recommendations

The electromagnetic flow meter is only suitable for the measurement of conductive fluids. The manufacturer is not liable for damages that result from improper or not in accordance with the requirements use.

The meters are constructed according to state-of-the-art technology and tested operationally reliable. They have left the factory in a faultless condition concerning safety regulations.

The mounting, electric installation, taking into operation and maintenance of the meter may only be carried out by suitable technicians. Furthermore the operating personnel has to be trained by the operating authority and the instructions of this manual have to be followed.

Basically, you have to respect the regulations for the opening and repairing of electrical equipment valid in your country.

Repairs

Should you send back a flow meter in operation, please take notice of the following points:

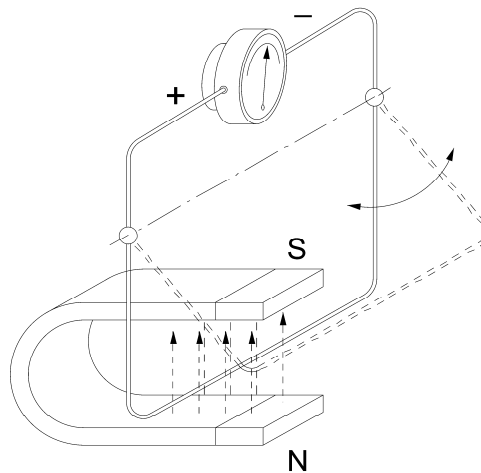
- Please enclose a description of the error as well as a precise statement of the measured medium (if necessary a safety specification sheet).
- The meter has to be in a cleaned condition (outside and inside). Especially with harmful measuring mediums you have to pay attention that there are no impurities in the pipe or at the connections.
- If it is not possible to clean the meter completely, particularly with harmful materials, do not send back the meter.

We reserve the right to repair only cleaned meters. Costs, which result from insufficient cleaning, will be charged to you.



2. Description

The electromagnetic flow meters are ideally suited for flow measurement of all liquids with a minimum conductivity of $5 \mu\text{S}/\text{cm}$ (min. $20 \mu\text{S}/\text{cm}$ for demineralized water). These meters are very accurate and the flow measurement is independent of density, temperature and pressure of the medium.



Measuring principle

The operating principle of the electromagnetic flow meter is based on Faraday's law of magnetic induction: The voltage induced across any conductor, as it moves right angles through a magnetic field, is proportional to the velocity of that conductor. The voltage induced within the fluid is measured by two diametrically opposed internally mounted electrodes. The induced signal voltage is proportional to the product of the magnetic flux density, the distance between the electrodes and the average flow velocity of the fluid.



3. Installation

Warning: ▪ *The below described installation notices must be followed in order to ensure the operativeness and the safe operation of the meter.*

3.1 General

3.1.1 Temperature ranges

- Attention:** ▪ *In order to prevent damage to the meter, the maximum temperature ranges of the detector and amplifier have to be observed absolutely.*
- *You have to provide a protection from direct insolation in regions with very high ambient temperatures.*
 - *At a medium temperature higher than 100°C the amplifier has to be separated from the detector (remote version).*

Amplifier	Ambient temp.		-20 up to + 60 °C
Detector	Medium temp.	PTFE / PFA	-40 up to +150 °C
		Hard rubber	0 up to +80 °C
		Soft rubber	0 up to +80 °C

3.1.2 Protection class

In order to guarantee the requirements of the protection class, the following points have to be followed:

- Attention:**
- *Housing seals have to be undamaged and in a clean condition.*
 - *All housing screws have to be tightened.*
 - *The outside diameter of the used connection cables have to correspond with the cable insertions (at M20 Ø 7....13 mm).
At non use of the cable insertion use a filler plug.*
 - *Cable insertions have to be tightened.*
 - *If possible lead the cable away downwards. Humidity can not reach the cable insertion.*

The meter is delivered in protection class IP 65 standard. If a higher protection class is required, the amplifier has to be remote mounted from the detector. The detector is also available in IP 68 as an option.



3.1.3 Transportation

- Attention:*
- All detectors larger than DN 150 are equipped with lifting eyes. For transportation or lifting of the meter you have to use them.
 - Do not lift the meters at the amplifier or detector neck.
 - Do not lift the detectors at the sheet casing with a fork lift truck, because the housing will be pushed in.
 - Do not lead lifting devices (rope, forks of a lifter, etc.) through the tube, otherwise the lining will be damaged.

3.2 Mounting

In order to secure the function of the meter in full range, as well as to avoid damages, following mounting recommendations have to be observed.

- Attention:*
- The meter has to be mounted in the pipeline according to the flow direction sign on the nameplate.
 - For detectors with PTFE liner, please remove the shroud on the flange (or the screw necks at dairy threads acc. to DIN 11851) only shortly before installation!

3.2.1 Mounting position

The meter can be mounted in any position. The meter can be mounted in horizontal as well as vertical pipelines.

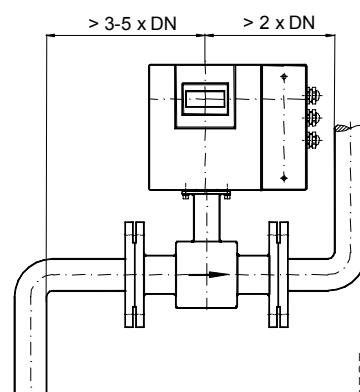
At vertical mounting the flow direction is to be provided upwards. Carried solid particles are sinking downwards.

At horizontal mounting you have to pay attention, that the measure electrodes are lying in a horizontal level. Carried gas bubbles could otherwise lead to a short time isolation of the measure electrodes.

The meter has to be mounted in the pipeline according to the flow direction sign on the nameplate.

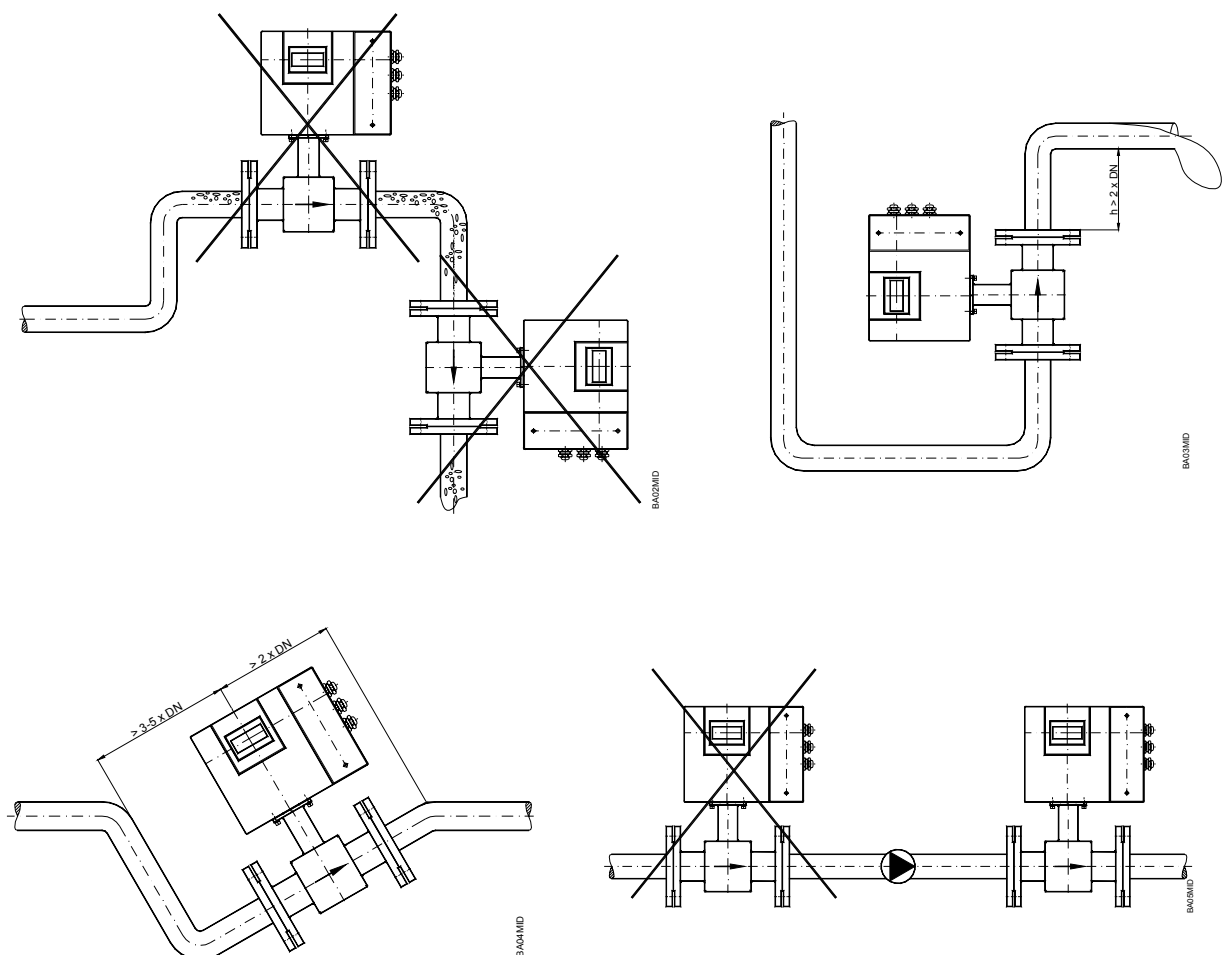
3.2.2 Inlet and outlet distance

The detector should always be installed in front of turbulence generating fittings. If this is not always possible, then inlet distances of $3 \times \text{DN}$ should be provided. The outlet distance should be $> 2 \times \text{DN}$.



3.2.3 Mounting location

- Attention:**
- The detector should not be installed on the suction side of a pump, otherwise there will be the danger of damage to the liner (especially PTFE liner) by depression.
 - Please be careful that the pipeline at the measuring point is always fully filled, otherwise no correct resp. accurate measuring is possible.
 - Do not install the detector at the highest point of a system of pipes, otherwise there will be the danger of gas accumulation.
 - Do not install in a downpipe with following free discharge.
 - At vibrations the pipeline has to be fastened before and after the detector. At very strong vibrations the amplifier has to be separated from the detector (remote version).



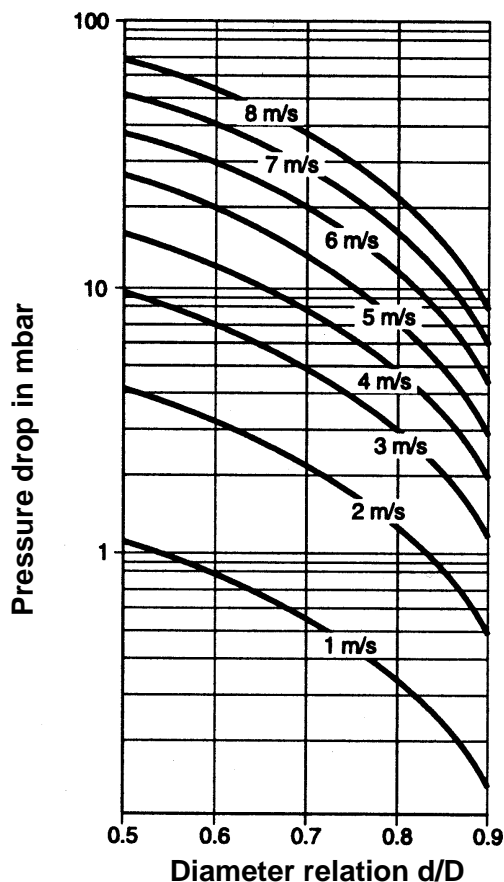
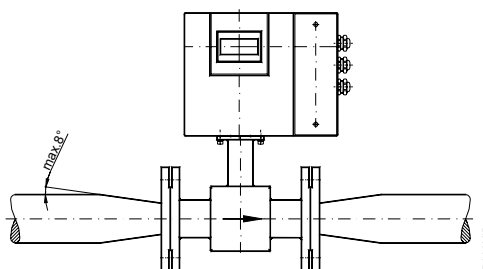
3.2.4 Size reduction

By using pipe adaption pieces according to DIN 28545 the detectors can be mounted in pipelines of larger sizes.

The emerging pressure drop can be determined with the depicted nomogram (only for liquids with a similar viscosity like water).

Notice: ■ *At very low flow rates the flow rate can be increased by reducing the size at the measuring point and therefore the measuring accuracy can be improved.*

D = Pipe
d = Detector



Determination of the pressure drop:

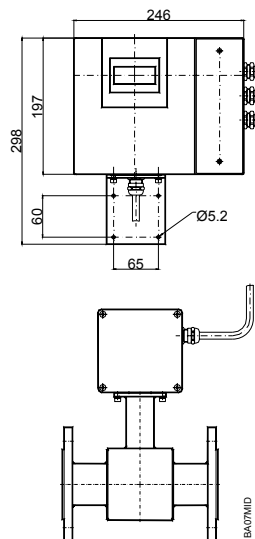
1. Calculate the diameter relation d/D.
2. Read the pressure drop depending of the d/D relation and the flow rate.



3.2.5 Remote version

The remote version is absolutely necessary at the following conditions:

- Notice:**
- *Detector protection class IP 68*
 - *Medium temperature > 100 °C*
 - *Strong vibrations*
- Attention:**
- *Do not lay signal cables in the direct surrounding of power cables, electrical machines, etc.*
 - *Fix the signal cables. Cable movements could otherwise lead to improper measurements by capacity changes.*



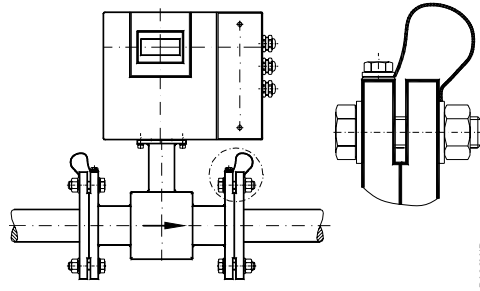
3.2.6 Grounding and equipotential bonding

In order to get an accurate measurement, the detector and the medium to be measured have to be approximately on the same electrical potential.

For flanged or in between flanges without additional grounding electrode this will be carried out by the connected pipeline.

- Attention:**
- *For the flange design, please take an additional connection cable (min. 4mm²) to the fastening screws between the grounding screw at the flange of the detector to the mating flange. Make sure that a good electrical connection will be established.*
 - *Colour or corrosion at the mating flange can reduce a good electrical connection.*
 - *For in between flanges designs, the electrical connection to the detector will be executed by two ¼ AMP plugs at the detector neck.*

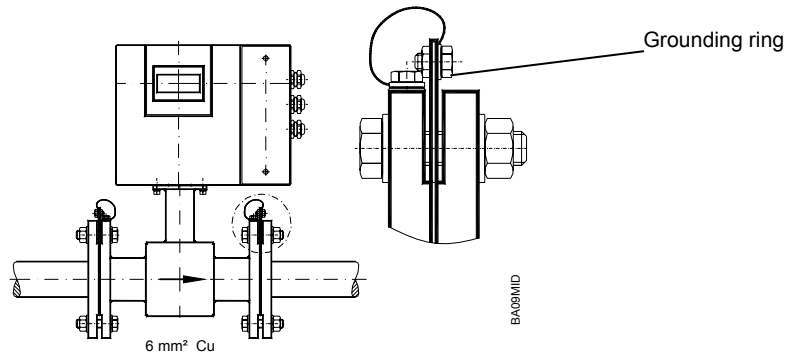




3.2.7 Plastic- or lined pipelines

When using non conductive pipelines or pipelines with non conductive liner, the equipotential bonding has to happen via an additionally installed grounding electrode or between the flanges mounted grounding rings. The grounding rings are mounted like a gasket between the flange and connected by a ground cable with the detector.

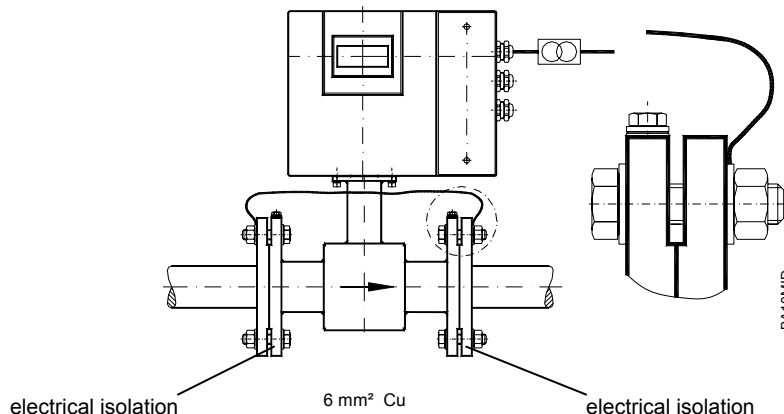
Attention: ■ When using grounding rings the corrosion resistance of the material has to be paid to. For aggressive media, it is recommended to use grounding electrodes.



3.2.8 Pipes with cathodic protection

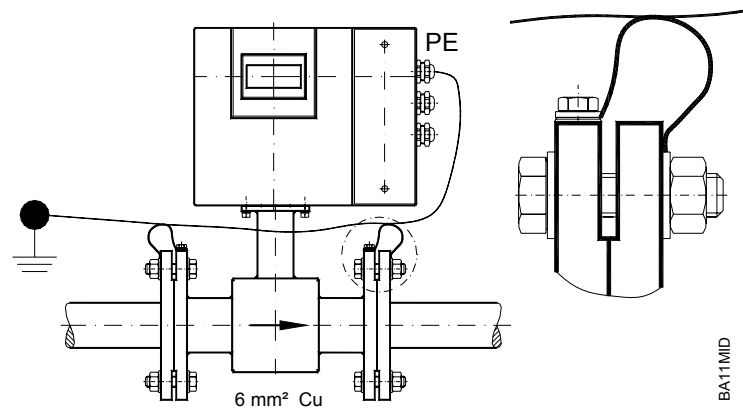
When having a cathodic protection, the meter has to be mounted potential free. The meter may not have any electrical connection to the system of pipes and the voltage supply has to happen via a separation transformer.

Attention: ■ It is required to use grounding electrodes in this case (grounding rings have to be mounted isolated from the system of pipes as well).
 ■ National regulations for the potential free mounting have to be observed.



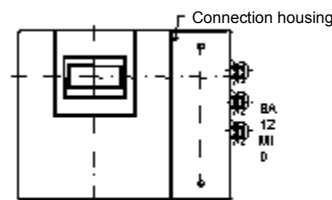
3.2.9 Electrical disturbed surrounding

In electrical disturbed surroundings or not grounded metallic pipelines, a grounding like described below is recommended in order to guarantee an uninfluenced measuring.



4. Electrical connection

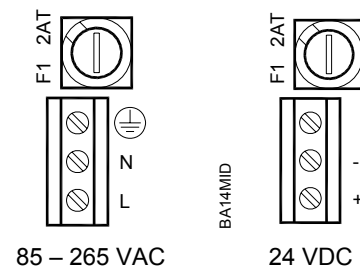
- Attention:**
- Only flexible electrical wires can be used for the 3 x M20 cable insertions.
 - Use separate line entrances for auxiliary power, signal- and in-/output wires.



4.1 Power

- Warning:**
- Do not install the meter under applied power supply.
 - National valid regulations have to be followed.
 - Observe the nameplate (power supply and frequency).

1. Loosen both fastening screws of the connecting cover und remove cover.
2. Slide the power cable through the upper cable insertion.
3. Connection according to the wiring plan.
4. Close the connection cover tightly again once the connection has been completed.

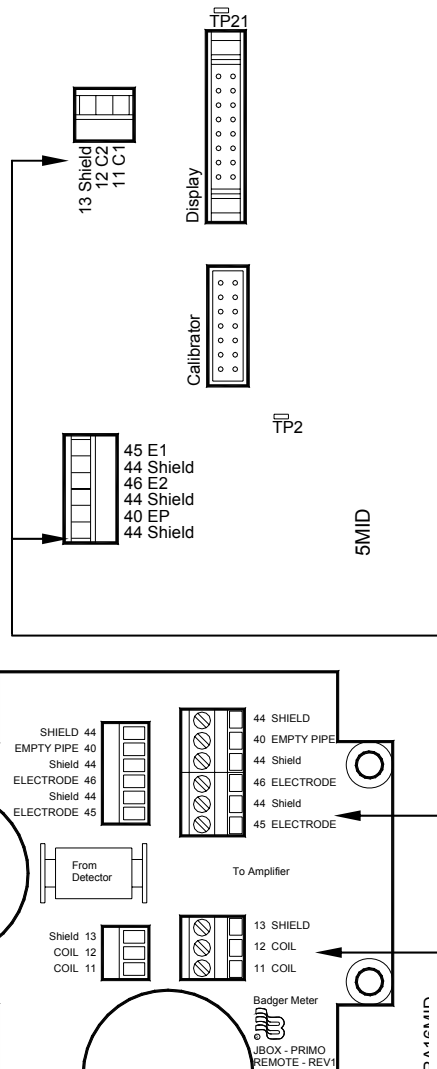


4.2 Remote version

Attention: ▪ Connect or detach signal connection wires only when the meter is switched off.

Connection in the amplifier

1. Loosen both fastening screws of the connecting cover and remove the cover.
2. Loosen upper and lower meter cover screw and open up the cover to the left.
3. Slide the signal cable on the bottom of the meter (wall mounting) through the cable insertion.
4. Connection according to the wiring plan.
5. Close the connection cover tightly again once the connection has been completed.



Connection at the detector

1. Loosen the fastening screws of the connection cover and remove the cover.
2. Slide the signal cable through the cable insertion.
3. Connection according to the wiring plan.
4. Close the connection cover tightly again once the connection has been completed.

Terminal box		Description	Wire colour
Standard	Stainless steel		
11	5	Coil 1	Green
12	4	Coil 2	Yellow
13	PE	Shield complete	Yellow/green
45	1	Electrode 1	White
44*	PE	Shield electrodes	Black
46	2	Electrode 2	Brown
44*			
40	3	Medium control	Pink
44*	PE	Shield medium control	Black

*) Connections with the N°. 44 are lying on the same potential

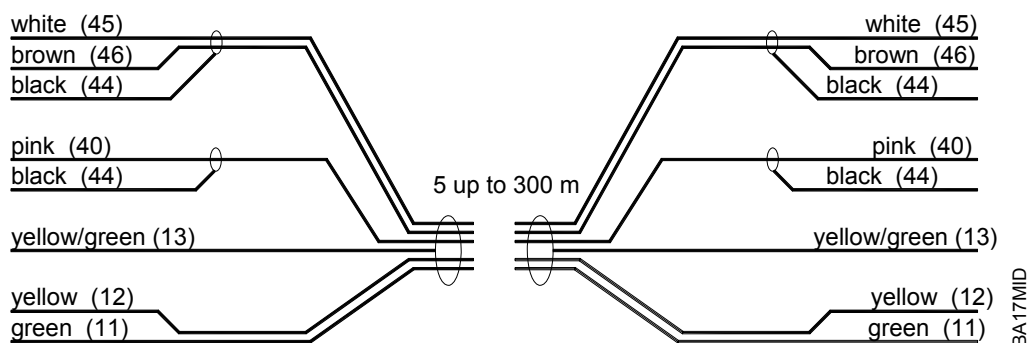


4.2.1 Signal cable specification

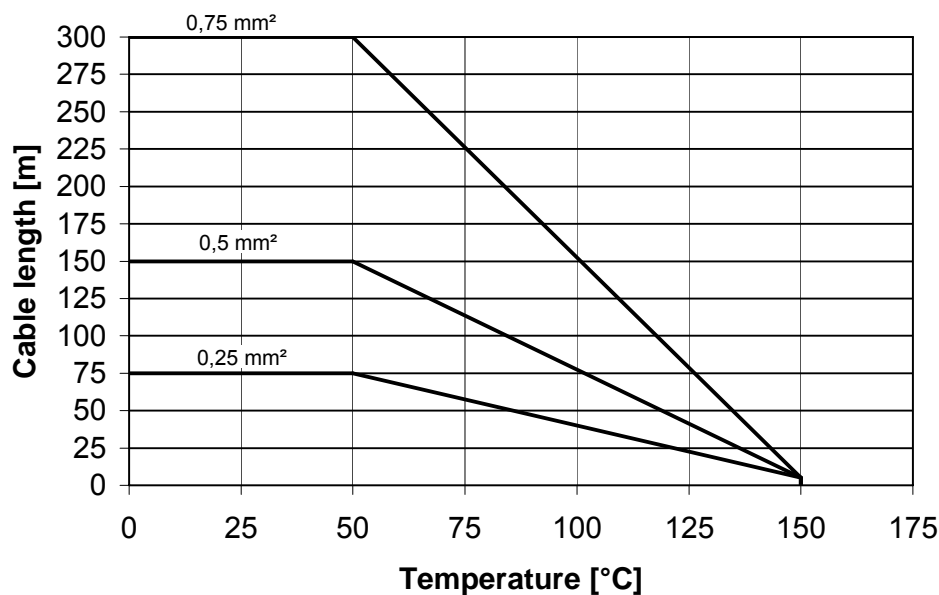
- Notice:
- Use only the signal cables supplied by Badger Meter or corresponding cables with the following specifications.
 - Observe the max. signal cable length between detector and amplifier (keep the distance as short as possible).

Distance	With electrode for empty pipe detection	Loop resistance
0 – 75 m	3 x (2 x 0,25 mm ²)	=< 160 Ω/km
> 75 – 150 m	3 x (2 x 0,50 mm ²)	=< 80 Ω/km
> 150 – 300 m	3 x (2 x 0,75 mm ²)	=< 40 Ω/km

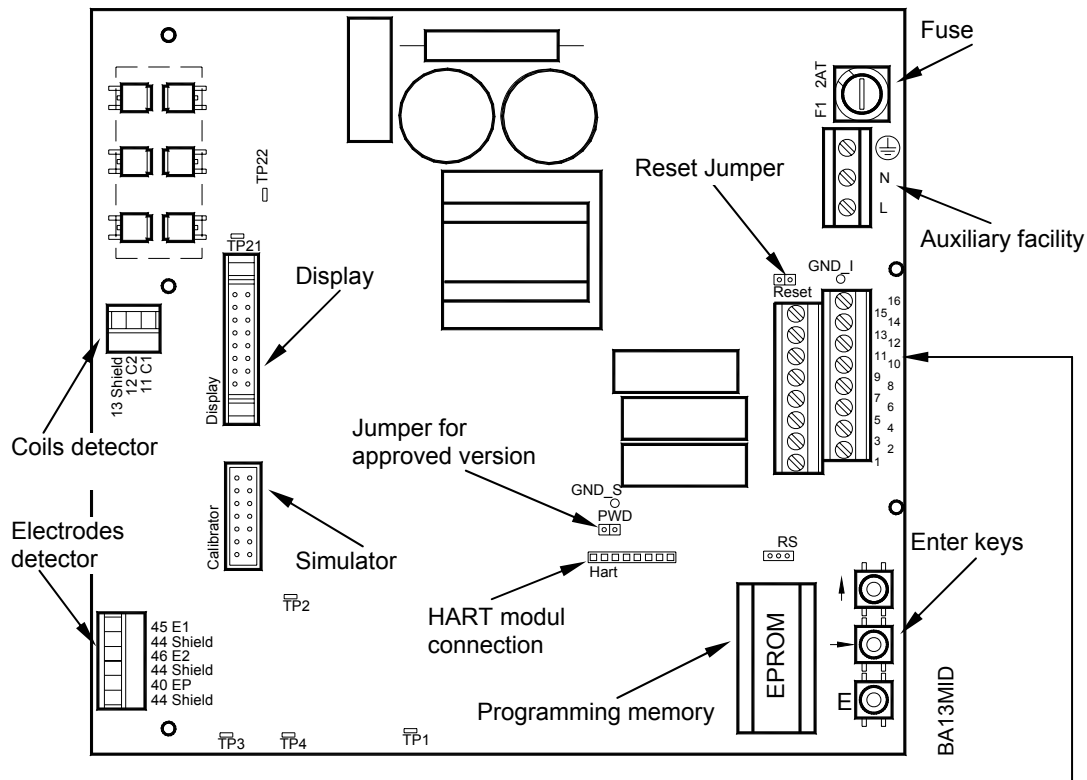
PVC-wire with pair- and total shield
 Capacity: Lead/lead < 120 nF/km, lead/shield < 160 nF/km
 Temperature range –30 up to +70 °C



Maximum cable length at different medium temperatures



4.3 Terminal wiring plan of inputs and outputs



In- / Output	Description	Terminal
Analog	0 - 20 mA 4 - 20 mA 0 - 10 mA 2 - 10 mA RL < 800 Ohm	3 (+) 1 (-)
Pulse	0 - 10 kHz, pulse-/break relation approx. 1:1 adjustable pulse length 5 - 500 ms (5 ms steps) Pulse output invertable	
Active	24 V DC, 25 mA	13 (+) and 16 (-)
Passive	max. 30 V DC, 250 mA	15 (+) and 16 (-)
Frequency (passive)	50 - 5000 Hz Full scale 500 - 5000 Hz max. 30 V DC, 250 mA	6 (+) 5 (-)
Relay 1	Flow direction max. 48 V, 500 mA	10, 11 and 12
Relay 2	Set point, preselection quantity max. 48 V, 500 mA	8 and 7
Relay 3	Meter disturbance, exceeding of measuring range and medium control max. 48 V, 500 mA	8 and 9
Reset	Totalizer 2 or preselection quantity	14 and 16
RS 232	Output of current readings and parameter setting	1 GND 2 RxD 4 TxD



5. Parameter setting

The parameter setting is done with the 3 keys (↑,→ and E).

The meter has got 3 different levels:

1. Test mode and normal settings

The test functions, language setting as well as different calibrations (analog output and empty pipe detection) can be done in this mode.

2. Parameter setting mode

The parameter setting of the meter can be done in this mode.

3. Measuring mode

In the measuring mode the current flow as well as totalizers and error messages are indicated on the display.

5.1 Test mode and normal setting

The test mode can be activated by pressing and holding for a short time the E key when switching on the meter. In this mode no automatic return to the measuring mode is occurring and it has to be run through completely. No measuring is taking place as long as the meter is in this mode.

5.1.1 Language setting

There are two selectable languages that can be activated.

^	E n g l i s h
>	G e r m a n
E	C o n t i n u e

By pressing the key ↑ the English language is activated in this case and by pressing the key → the German language is activated. If the key E is pressed, the already set language is kept and the next menu point is shown.

5.1.2 Flow simulation

5 different flow rates can be simulated and displayed on the respective outputs with this function. In addition all 3 relays can be tested on their function. The following flow rates can be simulated depending on the set full scale:

Signal (flow rate)	Relays test
100 %	Relay 1 (forward)
50 %	Relay 1 (forward) + relay 2
0 %	Relay 1 (forward) + relay 3
-50 %	Relay 1 (backward) + relay 2
-100 %	Relay 1 (backward)



Value with negative sign means flow simulation opposite to the main flow direction. The respective relay is activated simultaneous to the chosen flow rate (see chart).

```

T e s t   S i g n a l   o u t
S i g n a l   =   0 %
^   h i g h e r   >   l o w e r
E   C o n t i n u e

```

In this case „signal = 100%“ means the simulation of a flow rate of 100% of the set full scale. By pressing the key ↑ and → the next resp. previous value can be chosen. This menu point can be left with the key **E**.

5.1.3 Calibrating the analog output

The power output can be calibrated with this menu point.

Notice: ▪ *A calibration of the analog output is already done in the factory. A recalibration is normally not necessary.*

```

A n a l o g   o u t p u t
^   C l e a r
>   C a l i b r a t i o n
E   C o n t i n u e

```

By pressing the key ↑ the present calibration is erased, the calibration menu is shown with the key → and the calibration is kept with the key **E**.

Offset (4 mA) and range (20 mA) can be set in the calibration menu. By pressing the keys ↑ (increase) and → (reduce) the value can be calibrated at the analog output with the help of a current meter. The values are acknowledged with the key **E**. The calibration is also effective for the range 0-20 mA.

1. Connect a current meter at the analog output.
2. Setting of the offset (4 mA) with the ↑→ keys and acknowledgement with **E**.
3. Setting of the range (20 mA) with the ↑→ keys and acknowledgement with **E**.

5.1.4 Calibrating the medium control

Notice: ▪ *In order to compensate different conductivity of the media, cable length or sizes at the medium control, a calibration is recommended. This is important, if the medium control will be activated.*

```

E m p t y   p i p e   d e t.
^   C l e a r
>   C a l i b r a t i o n
E   C o n t i n u e

```

By pressing the key ↑ the present calibration is erased, with the key → the calibration menu is shown and with the key **E** the calibration is kept.



The pipe has to be filled with the media that will be measured at the flow control. When calling the menu point a value between 0 and 5000 mV will be measured and displayed. The value increases with decreasing conductivity, increasing cable length and size. Afterwards the signal difference between full and empty pipe is determined by the trigger value.

1. Fill the pipe with the measuring media completely.
2. Voltage between 0-5000 mV is displayed (measuring signal "full pipe").
3. Setting of the trigger value (recommended appr. 1000 mV) with the $\uparrow \rightarrow$ keys and acknowledgement with E.

The switching threshold for the empty pipe detection results then from the measuring signal "full pipe" plus trigger value. The maximum value for the switching threshold is at 5000 mV.

5.2 Parameter setting mode

You can enter the parameter setting mode by pressing the key **E** in the measuring mode. If no entry is done within 30 seconds in the parameter setting mode, the program returns automatically to the measuring mode. Even while the parameter setting mode is on, measurements are still carried out.

5.2.1 Factors

5.2.1.1 Calibration constant

Notice: ▪ *The meter was calibrated in the factory and the detector factor belonging to the detector has already been programmed. Changes of the calibration constant are influencing the measuring accuracy of the meter.*

Each meter has been wet calibrated in the factory and the corresponding correction factor has been determined. Each detector has its individual constant, which is programmed in the amplifier. This constant is shown on each detector nameplate.

5.2.1.2 Size

Notice: ▪ *The diameter of the detector has already been programmed in the factory. Changes of the value are influencing the measuring accuracy of the meter.*

This parameter is used for setting the detector diameter (size). The setting of the different size degrees is possible here (DN 6 up to DN 1400).



5.2.1.3 Password

Notice: ▪ Please contact the manufacturer at loss of the password.

The password consists of a number between 0 and 999. The value 0 is for „no password protection active“. If a value bigger than zero is entered, the password protection is activated. When calling the parameter setting mode again, the password has to be entered.

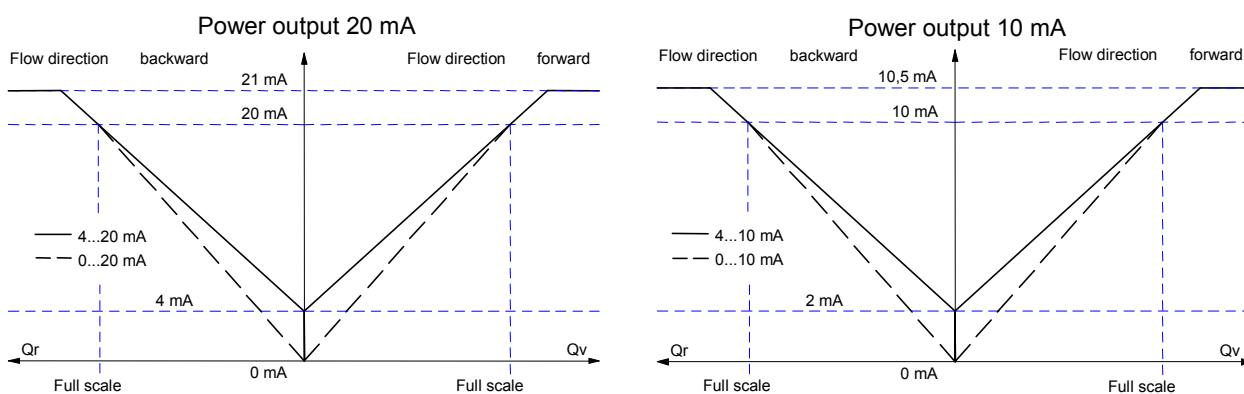
5.2.2 Outputs

5.2.2.1 Analog output

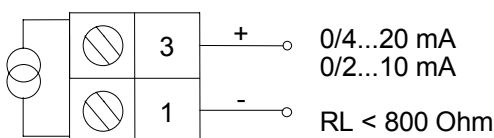
The following possible power ranges are available for the setting of the measuring range 0 to 100% (= full scale):

Power output
0 to 20 mA
4 to 20 mA
0 to 10 mA
2 to 10 mA

- Notice:*
- The power value is limited to 105% (21 mA resp. 10,5 mA) of the full scale. If this value is exceeded, an overflow error (relay 3) is indicated.
 - At bidirectional operation the flow direction is indicated via relay 1.
 - See also setting of the full scale.



Power output (active)



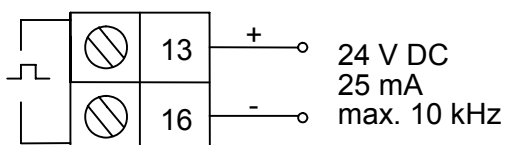
5.2.2.2 Pulse output

The pulse value defines how many pulses per volume unit are dispensed. These can be totalized and displayed as total flow volume.

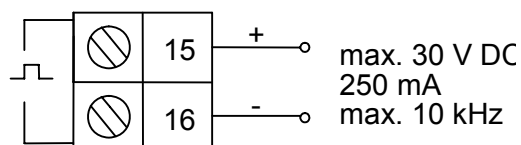
A setting of 0,001 up to 10.000 pulse/volume unit is possible. A max. output frequency of 10 kHz (10.000 pulses/sec) may not be exceeded. The program is checking, which maximum pulse rate is possible at full scale and limits the input to the maximum value.

Notice: ▪ The volume unit depends on the flow unit (see units).

Pulse output (active)

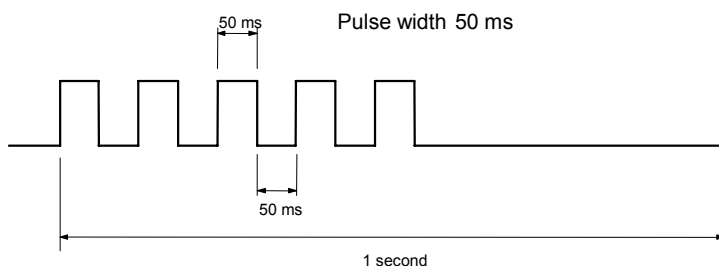
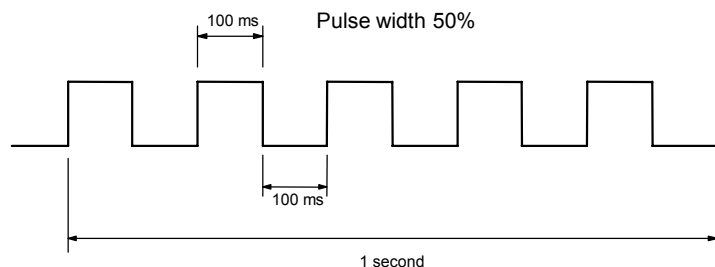


Pulse output (passive)



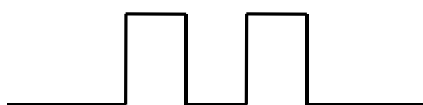
The pulse/break relation is approx. 1:1. At a setting of pulse width 50%, the pulse width is automatically adjusted to each pulse frequency. The pulse width can be programmed from 5 ms to 500 ms.

The program is checking, which maximum pulse length is possible at maximum pulse output frequency (full scale) and allows no higher values.

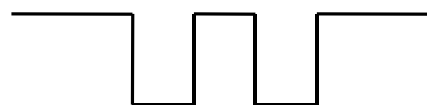


The pulse can be inverted via the function pulse type.

Normal closed



Normal open

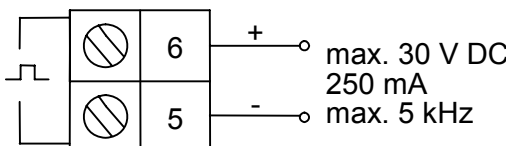


5.2.2.3 Frequency output

The frequency for the scaled terminal value can be set from 500 up to 5000 Hz.

Notice: ▪ *At bidirectional operation the flow direction is indicated via relay 1.*

Frequency output (passive)

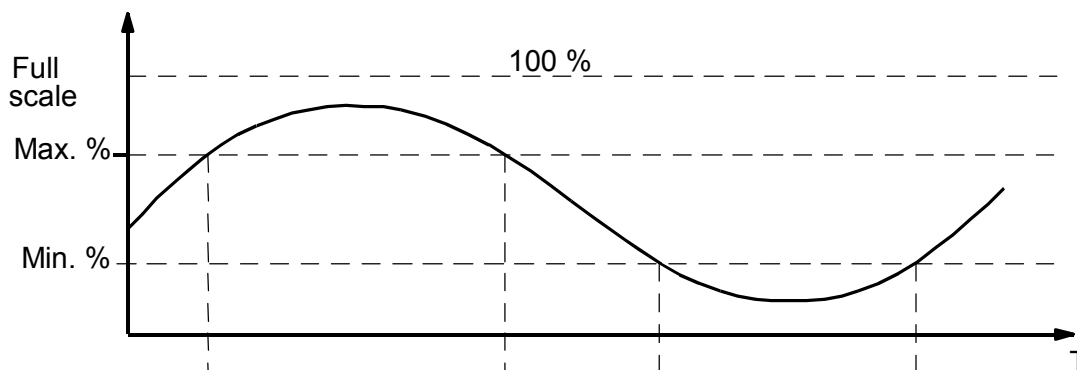


5.2.2.4 Set point

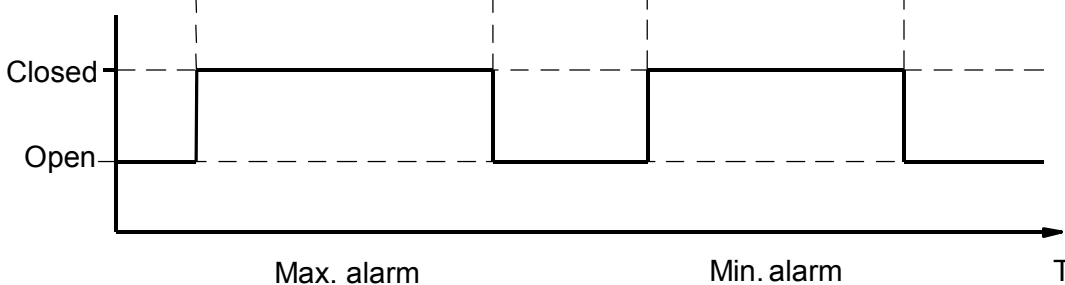
The set point (min, max) is used for control of the momentary flow rate and is set in percent from the full scale. The values can be chosen freely in 1% steps between 0 to 100%. The exceeding/underflowing of the set set point is indicated by closing of the relay.

Notice: ▪ *If a value bigger than zero is set in the menu point „preselection“, the set point is deactivated and the preselection mode is active. In order to re-activate the set point, set the preselection quantity to 0.*

Flow



Relay 2

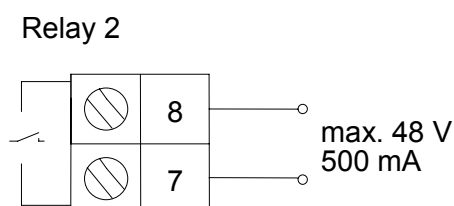


5.2.2.5 Preselection

The menu point preselection is used for realisation of simple batches. The value for the preselection quantity can be set from 0,01 to 9999,99 volume units in steps of 0,01 volume units.

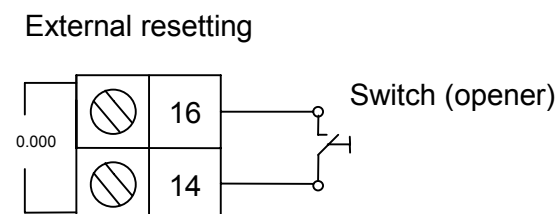
The preselection quantity is counted down to 0 from the programmed value and the reaching of the preselected quantity is indicated via the relay 2. The meter can be resetted via the menu „erase totals“ or an external switch. The relay is closed after the resetting and is opened by the reaching of the preselected quantity.

- Notice:*
- *If more than the preselected quantity should be batched, this is indicated in the display by a negative sign.*
 - *At the use of the preselection the flow direction has to be programmed in unidirectional direction.*



5.2.2.6 Resetting the totalizers and the preselection meter

The totalizers indicated in the display are set to zero via this menu point. If the preselection is active, the preselection meter is reset to the set preselection quantity. The jumper has to be „reset“ on the circuit board, so that the totalizer 1, resp. the preselection meter can be reset via an external switch (opener).



Totalizer	Menu		External switch		Voltage loss	
	Bi	Uni	Bi	Uni	Bi	Uni
Tot 1 / Tot+	R	R				
Tot 2 / Tot -	R	R		R		
Tot 1 / Tot+ (appr)						
Tot 2 / Tot - (appr)		R		R		
DOS (preselection)		R		R		
DOS (appr)		R		R		

R = Reset possible, Appr = approved version, Bi = bi-directional mode, Uni = uni-directional mode



5.2.3 Measuring

5.2.3.1 Measuring units

10 flow measuring units can be chosen. The flow values are automatically converted in the chosen unit.

l/h	Liter/hour
l/min	Liter/minute
l/s	Liter/second
m ³ /h	Cubic meter/hour
m ³ /min	Cubic meter/minute
m ³ /s	Cubic meter/second
GPM	US gallon/minute
MGPD	US million gallon/day
LbPM	US liquid pounds/minute
OzPM	US fluid ounces/minute
IGPM	Imperial gallon/minute

5.2.3.2 Totalizer units

The following totalizer units can be set independent of the flow measuring units.

L	Liter
m ³	Cubic meter
G	US gallon
MG	US million gallon
Lbs	US liquid pounds
Oz	US fluid ounces
IG	Imperial gallon
aft	Acre feet
ft ³	Cubic feet



5.2.3.3 Full scale

The full scale can be chosen in a range of 0,1 up to 12 m/s. A flow is assigned to the power output as well as the frequency output by the full scale scaling. The scaling is valid for both flow directions.

- Notice:*
- *If the current flow is exceeding the set full scale by more than 5%, a measuring range exceeding is indicated via the relay 3 (error).*
 - *The full scale and low flow cut off are also referring to the full scale.*

5.2.3.4 Low flow cut off

If a display resp. a sum of „wrong“ liquid movements, e.g. caused by vibrations or fluctuating of the liquid column, shall be prevented, the low flow cut off can be set accordingly.

Depending on the full scale, flow values in the lower measuring range between 0 and 10% can be hold back.

5.2.3.5 Empty pipe detection

The medium control is indicates via the relay (error), if the tube is only partially filled with liquid. The control can be switch on and off.

- Notice:*
- *The medium control can be calibrated via the test mode (adaption to the conductivity of the medium, cable length, size...).*

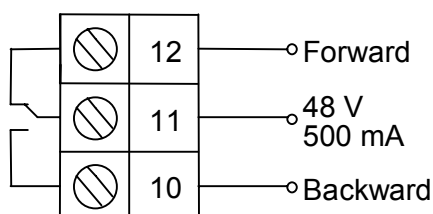
5.2.3.6 Flow direction

The flow direction can be programmed to uni- or bi-directional direction.

Uni-directional means that only the flow in one direction (arrow direction on the detector = main direction) is measured and added. If the medium is flowing opposite to the main direction, the counter is showing zero on the display and the outputs. Both totalizers can be used as total- and resettable daily counter in this mode.

At bi-directional setting the flow is measured and added in both directions. Totalizer 1 is adding in the main direction and totalizer 2 opposite to the main direction. A change of flow direction is indicated via the relay 1.

Relay 1



5.2.3.7 Filter (damping)

This option is used for damping of all output signals. The damping factor can be set from „inactive“ up to max. level 6. The damping corresponds a low pass filter. The time constant of the low pass filter is the same as 2^{level} in seconds.

Notice: ▪ *The damping has no influence on the totalizers.*

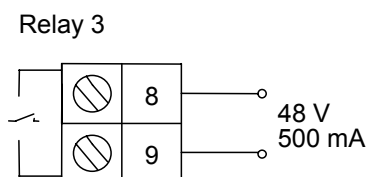
5.2.3.8 Error message

The error list in the program menu is indicating the last 8 errors and their successive appeared frequency. The sum of all switching on processes can be read on the switching on counter. A checking of possible power failures can be carried out with this easily.

The error list can also be reset via this menu point. For this the complete list until the menu point „erase list“ has to be run through.

An error is indicated via the relay 3 as well as in the 4. line in the display. The relay is closed during normal and is opened by appearing of an error.

An overview of the possible errors, causes as well as trouble shooting is described closer in the chapter „error indication and clearance“.



5.3 Measuring mode

The backlighted LCD display consists of 4 lines each 16 digits and is used for displaying the following information:

Line	Information	Value*
1	Current flow	5 digits
2	Totalizer 1 in main flow direction	7 digits
3	Uni-directional: Totalizer 2 in main flow direction	7 digits
	Bi-directional: Totalizer opposite to the main flow direction	7 digits
	Preselection: Preselection meter	7 digits
4	Error indication	16 digits

*Number of digits without decimal point and sign.

Notice: ▪ *If the displayed number is bigger than the above indicated number of digits, it is automatically changing in the exponential notation.*

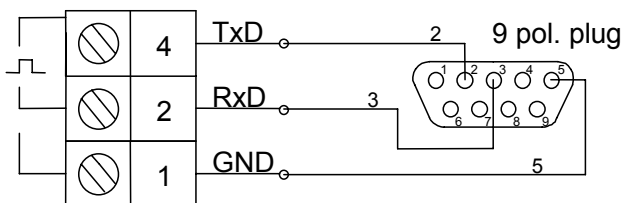


6. Interfaces

6.1 RS232

The RS232 interfaces do not need to be set up.

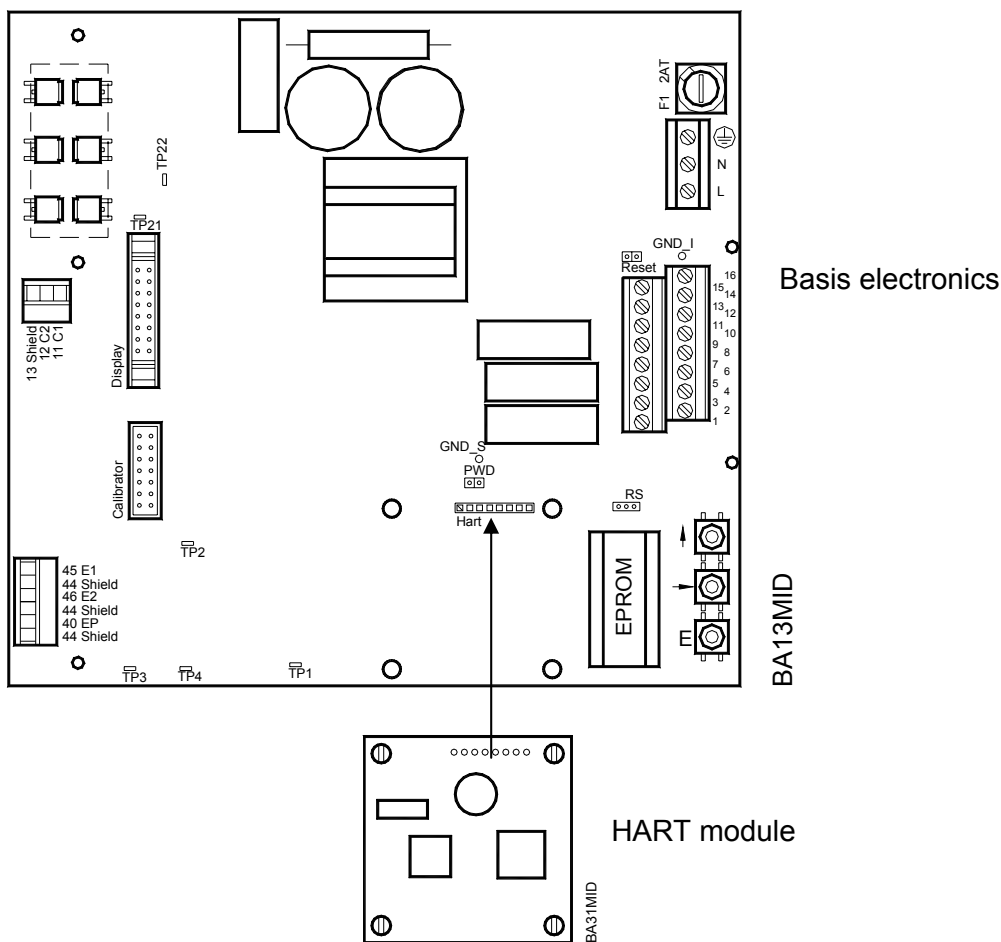
RS 232



Configuration of the COM interface

Baud = 9600
 Data bits = 8
 Stopbits = 1
 Parity = none
 Protocol = none

6.2 HART-protocol



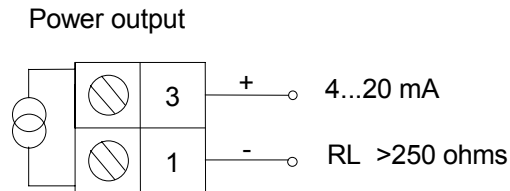
At later installation of the HART-module, the electronic will be placed into the 8 poles plug of the basis electronic, which is marked with HART. The 4 distance holders will be pushed down in the holes of the basis electronic. The HART module will automatically be installed during new start of the meter.

- Notice:**
- Switch off the meter before plugging in the HART module.
 - Do not press the HART module too hard while plugging in the HART module.



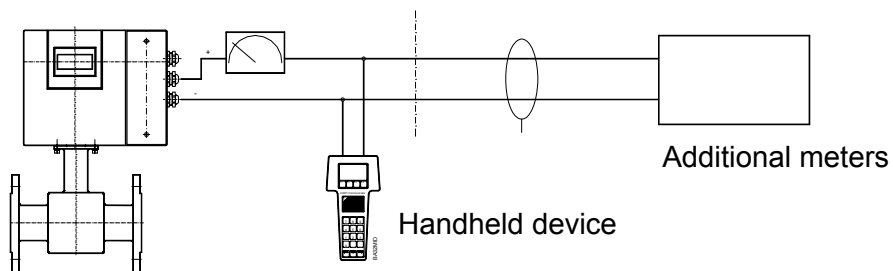
6.2.1 HART Connection

The connection of a HART interface is done upon the 4- 20 mA output (see also chap. 5.2.2.1). Loop resistance should show at least the value of >250 ohms.

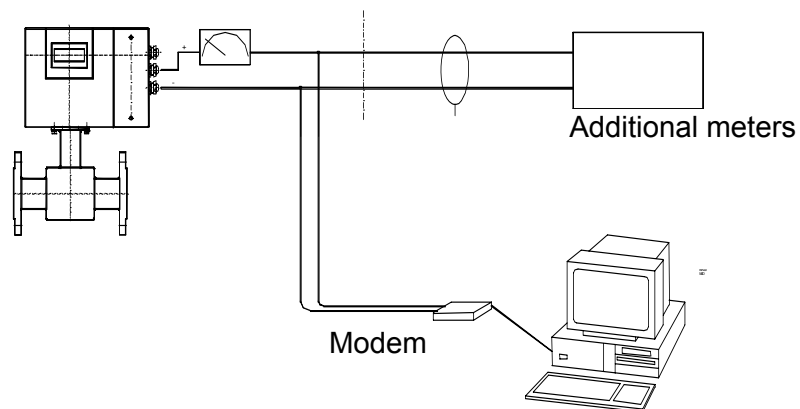


HART-communication can either be mounted over a handheld device or over a modem with a computer.

Handheld



Modem



DD (Device Description) for SIMATIC PDM from Siemens is available to visualize the parameters.



7. Error indication and clearance

Error indication of the meter is indicated on the display (line 4) as well as via relay 3. The relay is closed during normal operation and opens as soon as an error is occurring. The type and frequencies of the errors are protocolled in the error list in the parameter setting mode and can be called from there.

The following error indications can appear

Error indication	Possible cause	Measures
Err: Detector	<ul style="list-style-type: none"> ▪ No detector connected. ▪ Connection to the detector interrupted. ▪ Detector electronic or coil of the detector defective. 	Check, if the detector is connected and if no interruption is in the cable connection. Otherwise contact service.
Err: output	Control of the outputs defective.	Contact service.
Err: unknown	<ul style="list-style-type: none"> ▪ Error in the program. ▪ Data were lost in the memory. 	Contact service.
Err: version	Software has been changed.	Contact service.
Err: empty pipe	Tube is not fully filled.	Tube at the measuring point always has to be fully filled. Possibly new calibration. See calibration of the medium control.
Err: fullscale	The current flow is exceeding the programmed full scale by more than 5%.	Reduce flow or increase the programmed full scale.
Err: AD-Range	Input signal from the detector is too high.	Check and improve the grounding of the meter. See installation of the detector.

Some frequent errors are listed in the following:

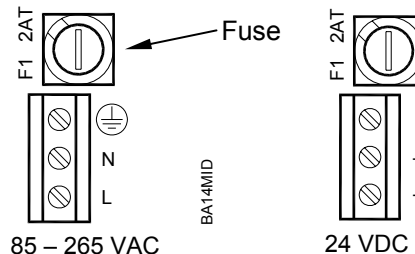
Other errors	Possible cause	Measures
No operation of the meter	<ul style="list-style-type: none"> ▪ No power. ▪ Fuse defective. 	<ul style="list-style-type: none"> ▪ Provide power. ▪ Replace the fuse.
Despite of flow ZERO is displayed.	<ul style="list-style-type: none"> ▪ Signal cable not connected, or connection interrupted. ▪ Detector mounted opposite to the main flow direction (see arrow on the nameplate). ▪ Connection cable of the coils or electrodes permutated. 	<ul style="list-style-type: none"> ▪ Check signal cable. ▪ Turn detector by 180°. ▪ Check connection cable.
Inaccurate measuring	<ul style="list-style-type: none"> ▪ Parameter wrong. ▪ Pipe not fully filled. 	<ul style="list-style-type: none"> ▪ Check the parameters (transmitter-, amplifier factor and size) according attached data sheet. ▪ Check, if tube is fully filled.



7.1 Replacing the meter fuse

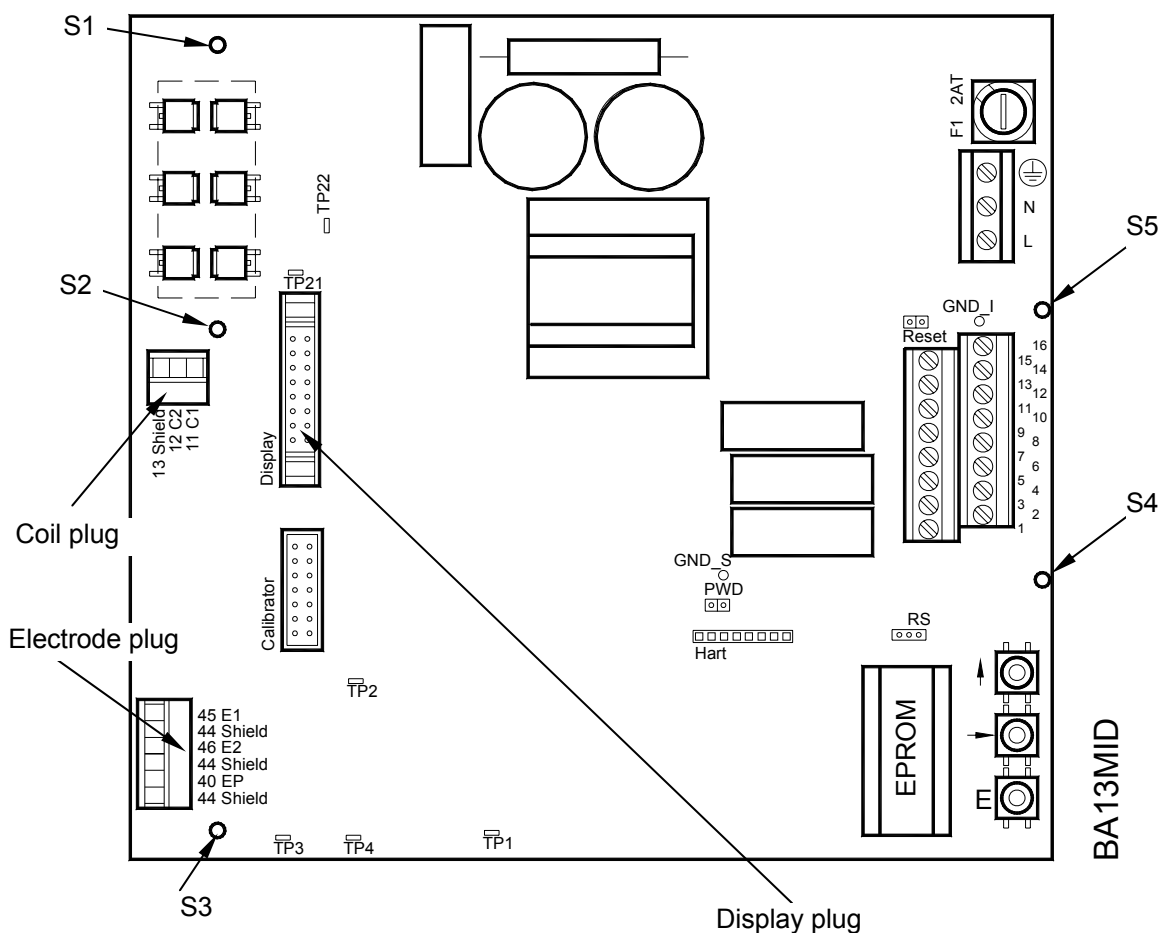
Warning: Do not exchange the fuse under applied power supply.

Fuse type: 85 - 265 VAC, 2 A (slow blow)
24 VDC, 2A (slow blow)



7.2 Replacing the amplifier electronic

Warning: Switch off the auxiliary power before opening the casing cover.



1. Pull the electrode-, coil- and display plug. Loosen the screws S1 to S5 and take out the circuit board.
2. Put in new circuit board and fasten with the screws S1 to S5. Connect the plugs and cables.
3. The new circuit board possibly has to be programmed to the existing detector (transmitter factor, size).

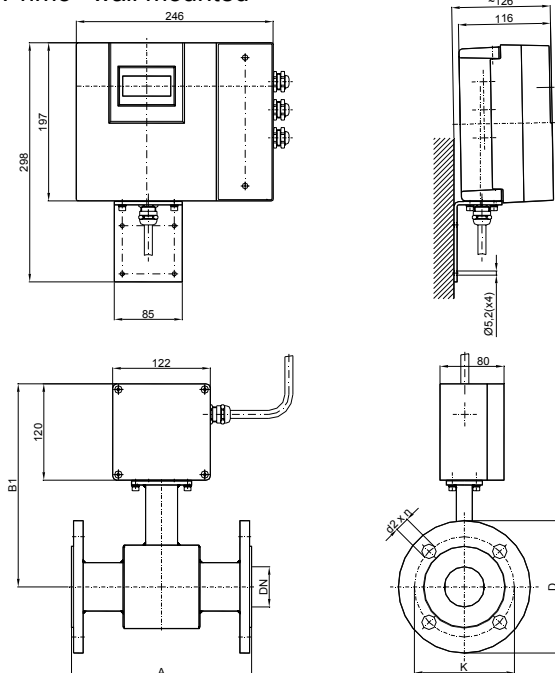


8. Technical data

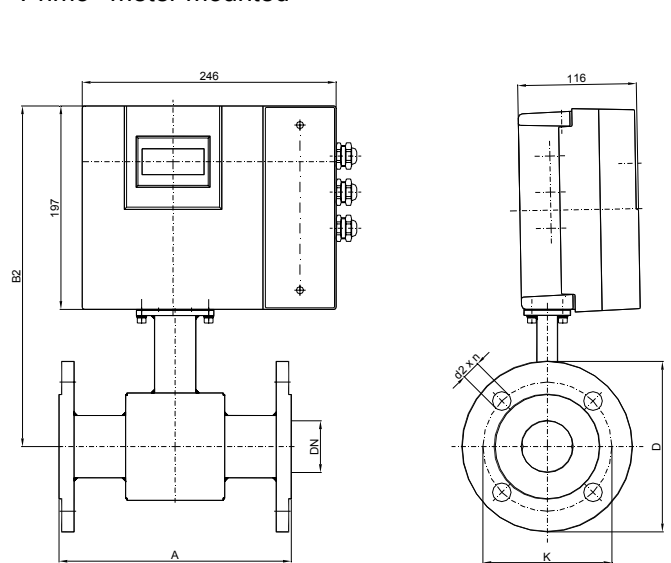
8.1 Detector type II

Technical data			
Size	DN 6 – 1400 (1/4“...56“)		
Process connections	Flange: DIN, ANSI, JIS, AWWA etc.		
Nominal pressure	Up to PN 100		
Protection class	IP 65, optional IP 68		
Min. conductivity	5 µS/cm (20 µS/cm for demineralized water)		
Liner materials	Hard-/soft rubber	from DN 25	0 up to +80°C
	PTFE	DN 6 - 600	-40 up to +150°C
	Halar (ECTFE)	from DN 300	-40 up to +150°C
Electrodes materials	Hastelloy C (standard) Tantalum Platinum/Gold plated Platinum/Rhodium		
Housing	Carbon steel/optional stainless steel		
Lay length	DN 6 – 20	170 mm	
	DN 25 – 50	225 mm	
	DN 65 – 100	280 mm	
	DN 125 – 200	400 mm	
	DN 250 – 350	500 mm	
	DN 400 – 750	600 mm	
	DN 800 – 1000	800 mm	
	DN 1200 – 1400	1000 mm	

Flange process connection
Primo® wall mounted



Flange process connection
Primo® meter mounted



Dimensions (mm)										
					with ANSI flanges			with DIN flanges		
DN		A	B1	B2	Ø D	Ø K	Ø d2 x n	Ø D	Ø K	Ø d2 x n
6	1/2"	170	228	305	88,9	60,3	15,9 x 4	90	60	14 x 4
8	3/10"	170	228	305	88,9	60,3	15,9 x 4	90	60	14 x 4
10	3/8"	170	228	305	88,9	60,3	15,9 x 4	90	60	14 x 4
15	1/2"	170	238	315	88,9	60,3	15,9 x 4	95	65	14 x 4
20	1 1/2"	170	238	315	98,4	69,8	15,9 x 4	105	75	14 x 4
25	1"	225	238	315	107,9	79,4	15,9 x 4	115	85	14 x 4
32	1 1/2"	225	253	330	117,5	88,9	15,9 x 4	140	100	18 x 4
40	1 1/2"	225	253	330	127	98,4	15,9 x 4	150	110	18 x 4
50	2"	225	253	330	152,4	120,6	19 x 4	165	125	18 x 4
65	2 1/2"	280	271	348	177,8	139,7	19 x 4	185	145	18 x 4
80	3"	280	271	348	190,5	152,4	19 x 4	200	160	18 x 8
100	4"	280	278	355	228,6	190,5	19 x 8	220	180	18 x 8
125	5"	400	298	375	254	215,9	22,2 x 8	250	210	18 x 8
150	6"	400	310	387	279,4	241,3	22,2 x 8	285	240	22 x 8
200	8"	400	338	415	342,9	298,4	22,2 x 8	340	295	22 x 12
250	10"	500	362	439	406,4	361,9	25,4 x 12	395	350	22 x 12
300	12"	500	425	502	482,6	431,8	25,4 x 12	445	400	22 x 12
350	14"	500	450	527	533,4	476,2	28,6 x 12	505	460	22 x 16
400	16"	600	475	552	596,9	539,7	28,6 x 16	565	515	26 x 16
450	18"	600	500	577	635,0	577,8	31,7 x 16	615	565	26 x 20
500	20"	600	525	602	698,5	635,0	31,7 x 20	670	620	26 x 20
550	22"	600	550	627	749,3	692,1	34,9 x 20	–	–	–
600	24"	600	588	665	812,8	749,3	34,9 x 20	780	725	30 x 20
650	26"	600	613	690	869,9	806,4	34,9 x 24	–	–	–
700	28"	600	625	702	927,1	863,6	35,1 x 28	895	840	30 x 24
750	30"	800	650	727	984,2	914,4	34,9 x 28	–	–	–
800	32"	800	683	760	1060,5	977,9	41,3 x 28	1015	950	33 x 24
850	34"	800	708	785	1111,2	1028,7	41,3 x 32	–	–	–
900	36"	800	725	802	1168,4	1085,8	41,3 x 32	1115	1050	33 x 28
950	38"	800	750	827	1238,3	1149,4	41,3 x 32	–	–	–
1000	40"	800	790	867	1346,2	1257,3	41,3 x 36	1230	1160	36 x 28
1200	48"	1000	900	977	1511,5	1422,4	41,3 x 44	1455	1380	39 x 32
1350	54"	1000	975	1052	1682,8	1593,9	47,8 x 44	–	–	–
1400	56"	1000	1000	1077	–	–	–	1675	1590	42 x 36
Standard										
with ANSI flanges				from DN 6 – 1400			Pressure rating 150 lbs			
with DIN flanges				from DN 6 – 200			Pressure rating PN 16			
				from DN 250 – 1400			Pressure rating PN 10			

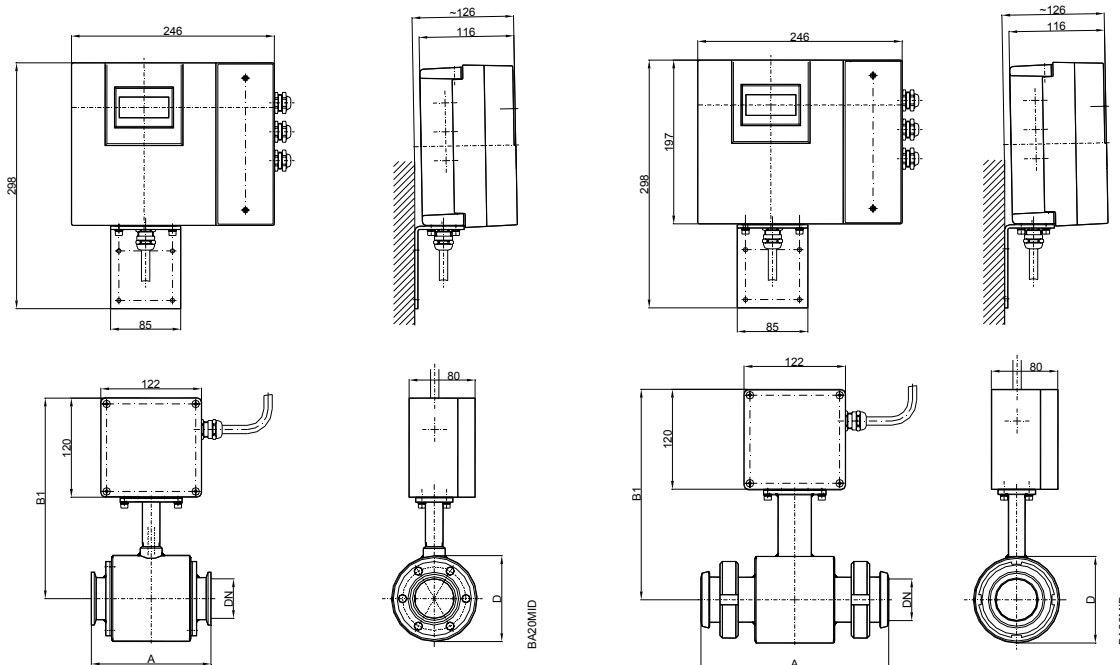


8.2 Detector type food

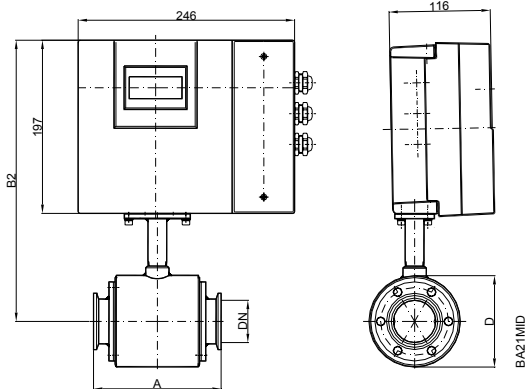
Technical data			
Size	DN 10 – 100 (3/8"…4")		
Process connections	Tri-Clamp®, DIN 11851, ISO 2852, etc.		
Nominal pressure	PN 10		
Protection class	IP 65, optional IP 68		
Min. conductivity	5 µS/cm (20 µS/cm for demineralized water)		
Liner materials	PTFE	-40 up to +150°C	
Electrodes materials	Hastelloy C (standard) Tantalum Platinum/Gold plated Platinum/Rhodium		
Housing	Stainless steel		
Lay length	Tri-Clamp® connection	DN 10 – 50	145 mm
		DN 65 – 100	200 mm
	DIN 11851 connection	DN 10 – 20	170 mm
		DN 25 – 50	225 mm
		DN 65 – 100	280 mm

Tri-Clamp® process connection
Primo® wall mounted

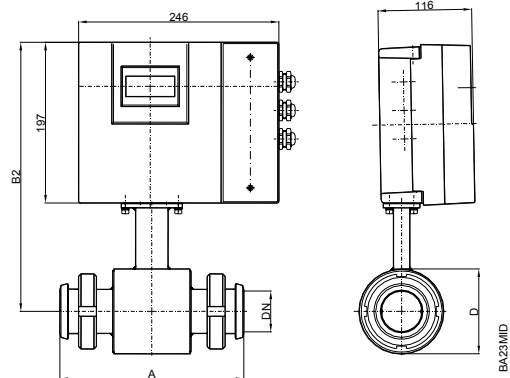
DIN 11851 process connection
Primo® wall mounted



Tri-Clamp® process connection
Primo® meter mounted



DIN 11851 process connection
Primo® meter mounted



Dimensions (mm) type food Tri-Clamp®					
DN		A	B1	B2	D
10	3/8	145	228	305	74
15	1/2"	145	228	305	74
20	1 1/2"	145	228	305	74
25	1"	145	228	305	74
40	1 1/2"	145	238	315	94
50	2"	145	243	320	104
65	2 1/2"	200	256	333	129
80	3"	200	261	338	140
100	4"	200	269	346	156
Pressure rating PN10					

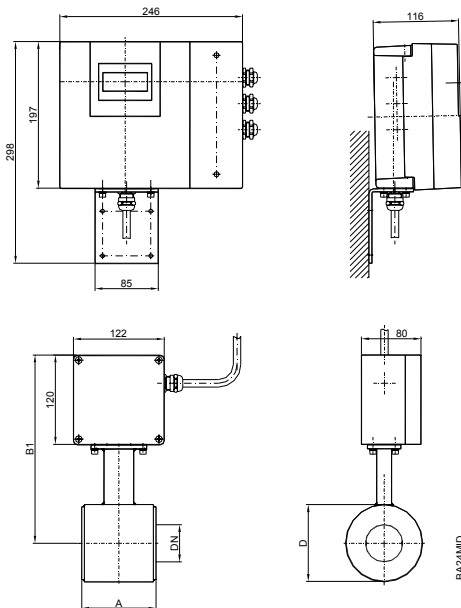
Dimensions (mm) type food dairy pipe DIN 11851					
DN		A	B1	B2	D
10	3/8"	170	238	315	74
15	1/2"	170	238	315	74
20	1 1/2"	170	238	315	74
25	1"	225	238	315	74
32	1 1/2"	225	243	320	84
40	1 1/2"	225	248	325	94
50	2"	225	253	330	104
65	2 1/2"	280	266	343	129
80	3"	280	271	348	140
100	4"	280	279	356	156
Pressure rating PN10					



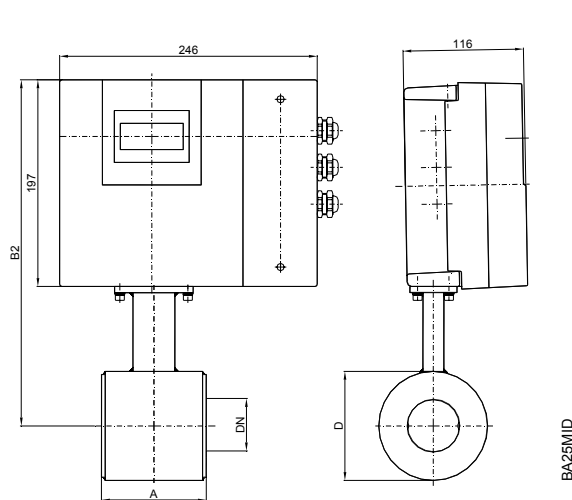
8.3 Detector type III

Technical data		
Size	DN 25 – 100 (1“...4“)	
Process connections	Wafer connection, (in-between flange mounting)	
Nominal pressure	PN 40	
Protection class	IP 65, optional IP 68	
Min. conductivity	5 μ S/cm (20 μ S/cm for demineralized water)	
Liner materials	PTFE	-40 up to +150°C
Electrodes materials	Hastelloy C (standard) Tantalum Platinum/Gold plated Platinum/Rhodium	
Housing	Carbon steel/optional stainless steel	
Lay length	DN 25 – 50	100 mm
	DN 65 – 100	150 mm

Wafer connection
Primo® wall mounted



Wafer connection
Primo® meter mounted



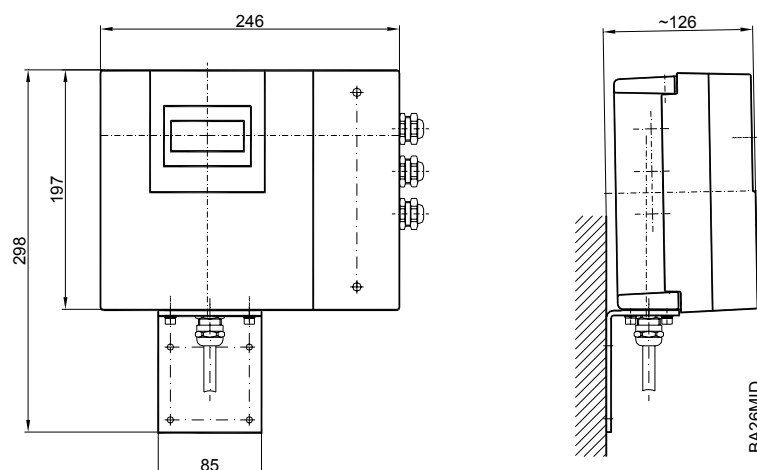
Dimensions (mm)					
DN		A	B1	B2	D
25	1“	100	238	315	74
32	1 1/2“	100	243	320	84
40	1 1/2“	100	248	325	94
50	2“	100	253	330	104
65	2 1/2“	150	266	343	129
80	3“	150	271	348	140
100	4“	150	279	356	156



8.4 Amplifier type Primo® Advanced

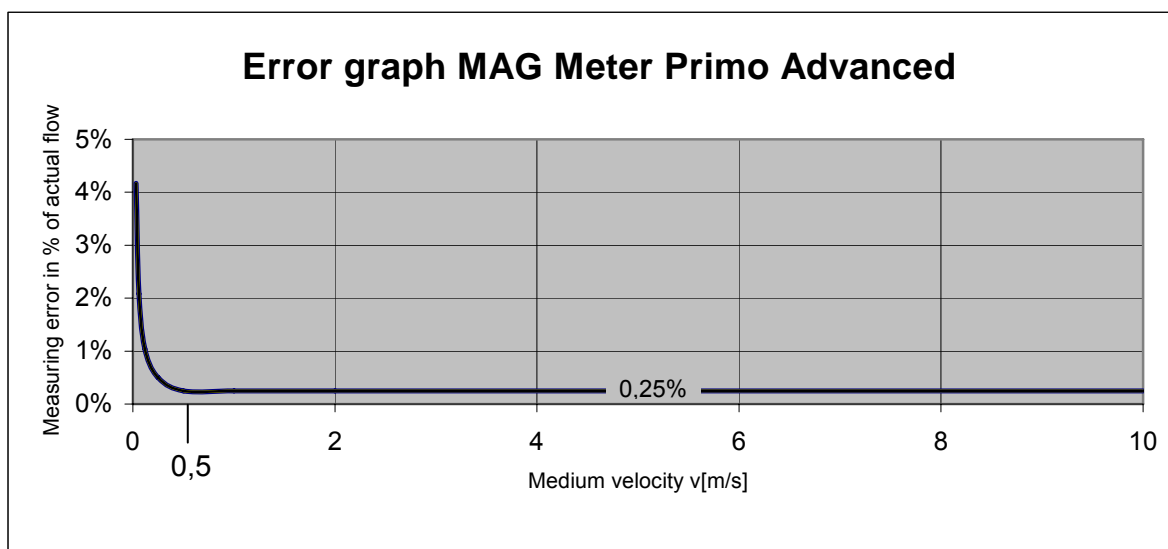
Technical data	
Type	Primo® Advanced
Power	85 – 265 VAC, 45 – 65 Hz Optional 24 VDC (-10% ... +20%), 900 mA
Analog output	0/4 – 20 mA, ≤ 800 Ohm Flow direction is displayed via separated status output.
Pulse output	Active 24 V, 25 mA Passive 30 V, 250 mA (open collector) max. 10kHz
Status output	1 min./max. alarm or preselection meter 1 flow direction 1 error message
Medium control	Separate electrode
Programming	3 keys, RS 232, HART
Interface	RS 232 for measuring values and programming, optional: HART
Flow range	0,03 up to 10 m/s
Accuracy	≥ 0,5 m/s better ±0,25% of actual flow < 0,5 m/s ±1,25 mm/s of actual flow
Repeatability	0,1%
Flow direction	Bi-directional
Pulse length	Programmable up to 500 ms
Outputs	Short circuit safe and galvanically isolated
Low flow cut off	0 – 10%
Display	LCD, 4 lines/16 characters, backlight actual flow, 2 totalizers, status display
Housing	Powder coated aluminium die cast
Protection class	IP 65
Cable insertion	Power and signal cable (outputs) 3 x M20
Signal cable	From detector M20
Ambient temperature	-20 up to + 60°C

Dimensions Primo® Advanced



8.5 Error limits

Flow range	:	0,03 m/s to 12 m/s
Pulse output	:	$\geq 0,5$ m/s $\pm 0,25\%$ of actual flow $< 0,5$ m/s $\pm 1,25$ mm/s of actual flow
Analog output	:	$\pm 0,01$ mA
Repeatability	:	$\pm 0,1\%$ of actual flow

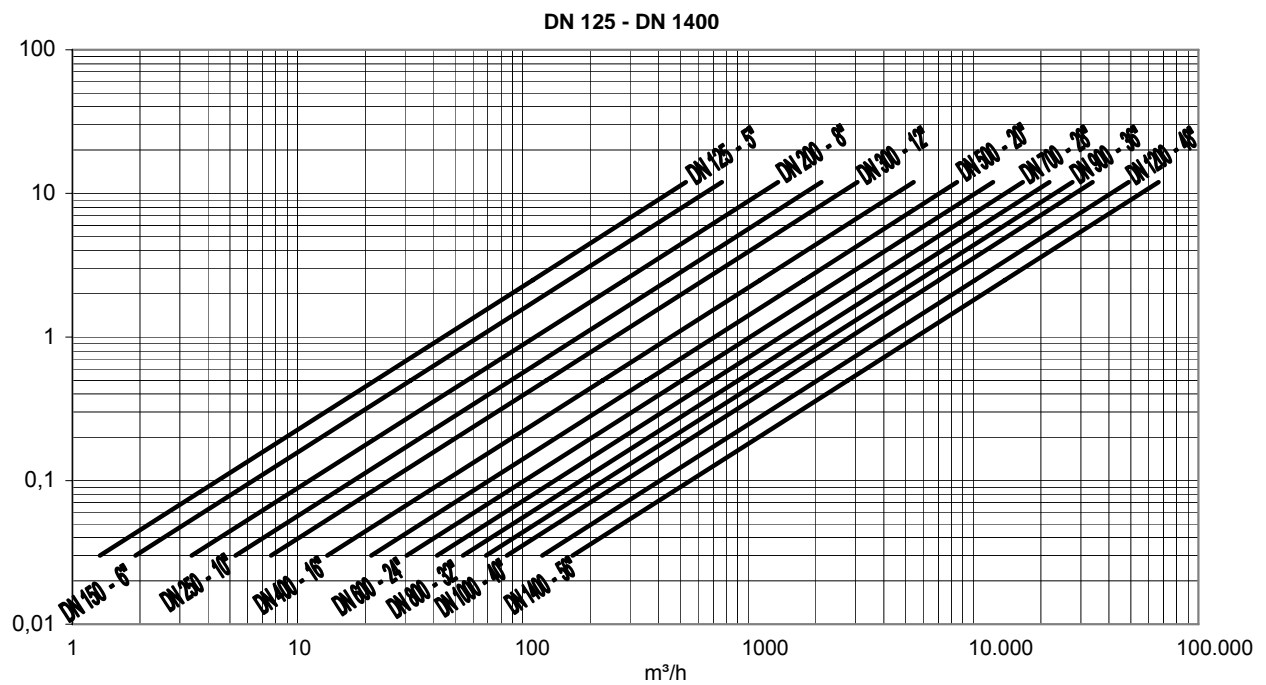
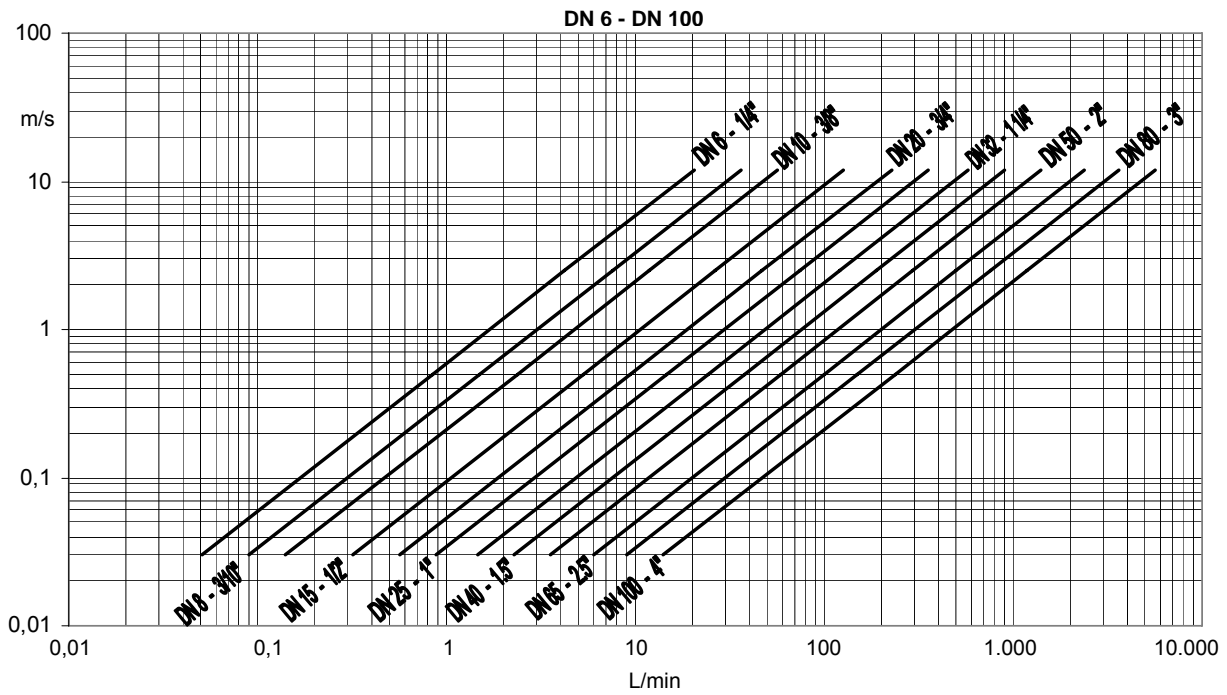


Reference conditions:

Ambient and medium temperature	:	20°C
Electr. conductivity	:	$> 300 \mu\text{S/cm}$
Warm up time	:	60 min
Mounting conditions	:	> 10 DN inlet distance > 5 DN outlet distance Detector correctly grounded and centred.

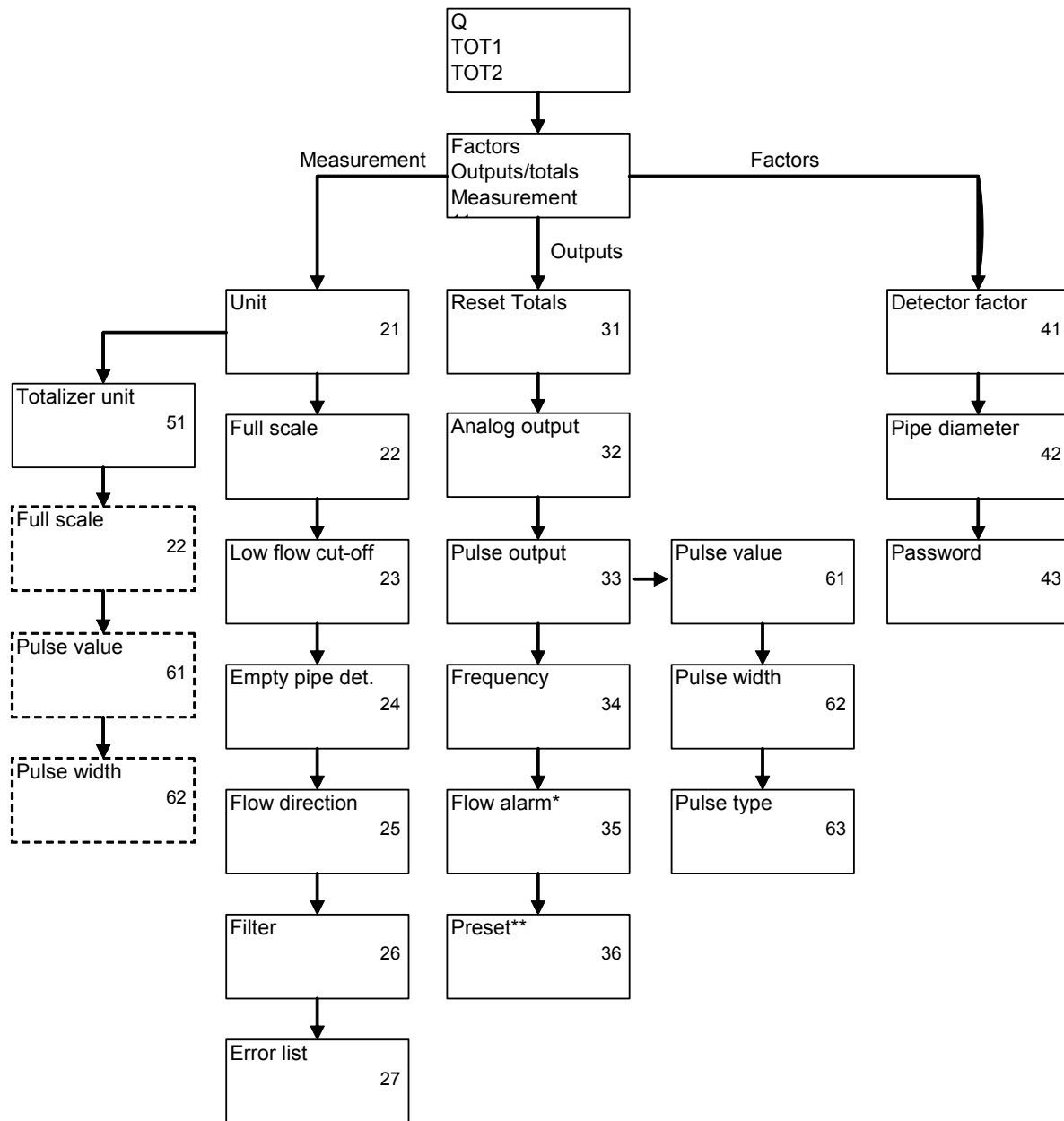


8.6 Size selection



9. Program structure

9.1 Parameter setting mode

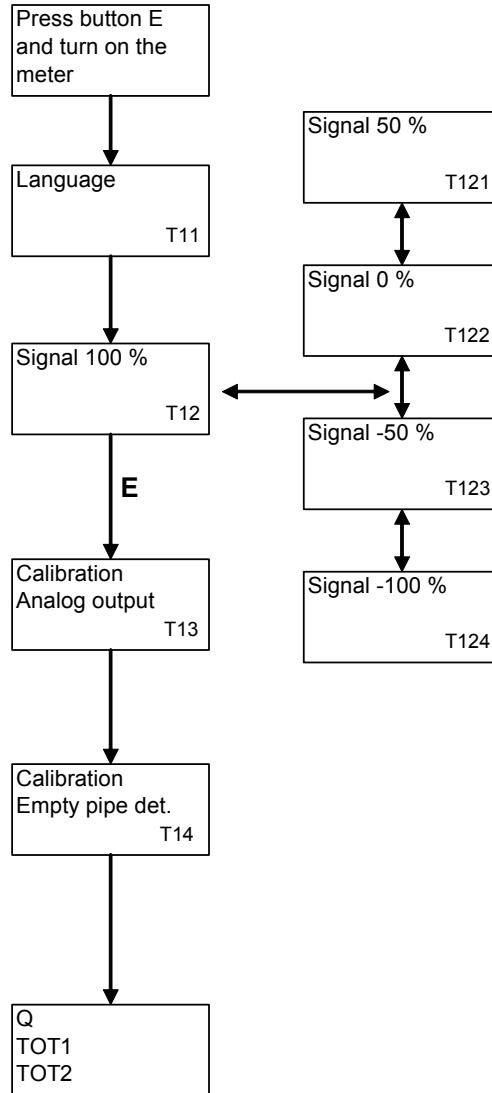


* only if preselection=0

** only if flow direction = uni-directional



9.2 Test mode



10. Return of goods for repair

Please copy, fill in and sign hereafter harmless declaration and enclose it for any return of goods you may send back for repair.

No repair will be performed prior to receiving the harmless declaration duly filled and signed.

Harmlessness declaration

To : _____

Attn. : _____

From : _____

Dept. : _____

Please note that no repair will be performed prior to receiving of this declaration duly signed by you!

Please send all parts clean from medium and inform us about possible medium wastes remaining in the part. For this purpose, please use this form. A security specification sheet of the medium must accompany this declaration in the following cases: Toxic, dangerous or objectionable media, or media belonging to any dangerous materials class. We inform you that uncleaned parts lead to additional costs. Extra clean costs will be charged to you. Furthermore, we reserve us the right to send the parts back to you for cleaning!

Declaration

We herewith confirm that the part(s) sent for repair has/have been cleaned and is/are free of any liquid and/or solid wastes of the medium and/or cleaning medium: Any eventually remaining wastes are:

harmless

dangerous, toxic, etc. – Security specifications are attached

Signature of person in charge: _____

Name of the person in charge in capital letters: _____

Date: _____

Company stamp: _____



Hotline

Tel. +49-7025-9208-0 or -30

Fax +49-7025-9208-15



Badger Meter Europa GmbH

Subsidiary of Badger Meter, Inc., USA

Nürtinger Strasse 76

72639 Neuffen (Germany)

E-mail: badger@badgermeter.de

www.badgermeter.de