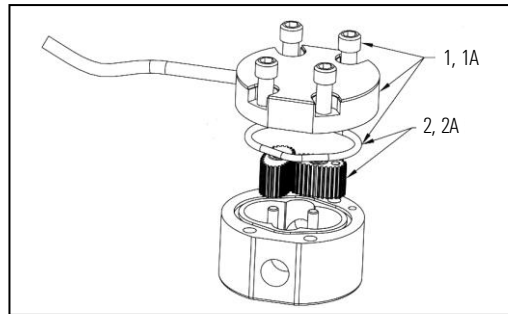


IOG® series

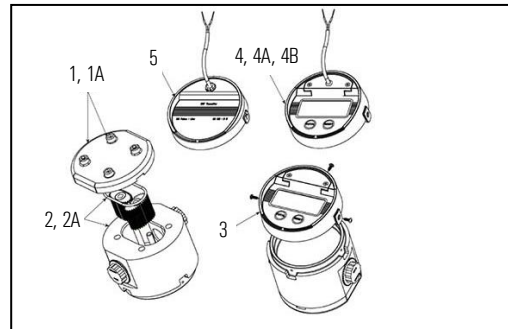
Spare parts

1/4" and 1/4" Low Flow



Item	Description	1/4"	1/4" LF
1	Aluminium cover with screws	Art. n°: 66885-020	Art. n°: 66885-020
1A	SST cover with screws	Art. n°: 66885-021	Art. n°: 66885-021
2	SST gear service kit with Aflas O-ring	Art. n°: 66885-022	Art. n°: 66885-024
2A	SST gear service kit with Viton O-ring	Art. n°: 66885-023	Art. n°: 66885-025

1/2" to 3"



Item	Description	1/2"	3/4"	1"	1"HF	1 1/2"	2"	3"
1	Aluminium cover with screws	66885-015	66885-013	66885-013	66885-026	66885-028	66885-030	66885-032
1A	SST cover with screws	66885-016	66885-014	66885-014	66885-027	66885-029	66885-031	66885-033
2	SST gear service kit with Aflas O-ring	66885-005	66885-007	66885-007	66885-035	66885-037	66885-039	66885-041
2A	LCP gear service kit with Viton O-ring	66885-006	66885-008	66885-008	66885-034	66885-036	66885-038	66885-040
3	ILR-700 industrial register with screws	66885-001	66885-001	66885-001	66885-001	66885-001	66885-001	66885-001
4	ILR-710 industrial register single pulse output with screws	66885-002	66885-002	66885-002	66885-002	66885-002	66885-002	66885-002
4A	ILR-720 industrial register quad output with external reset with screws	66885-003	66885-003	66885-003	66885-003	66885-003	66885-003	66885-003
4B	ILR-730 industrial register analog output 4-20 mA with screws	66885-004	66885-004	66885-004	66885-004	66885-004	66885-004	66885-004
5	ILR-740 transmitter with screws	66885-012	66885-012	66885-012	66885-012	66885-012	66885-012	66885-012
5A	ILR-741 transmitter/NEMA 4x adapter (alu)	66885-059	66885-059	66885-059	66885-059	66885-059	66885-059	66885-059
5B	ILR-741 transmitter/NEMA 4x adapter (SS)	66885-058	66885-058	66885-058	66885-058	66885-058	66885-058	66885-058
6	Battery (not shown)	66299-001	66299-001	66299-001	66299-001	66299-001	66299-001	66299-001